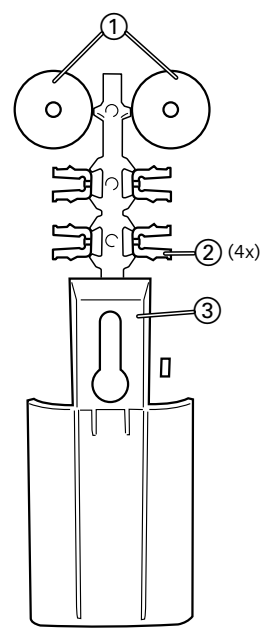


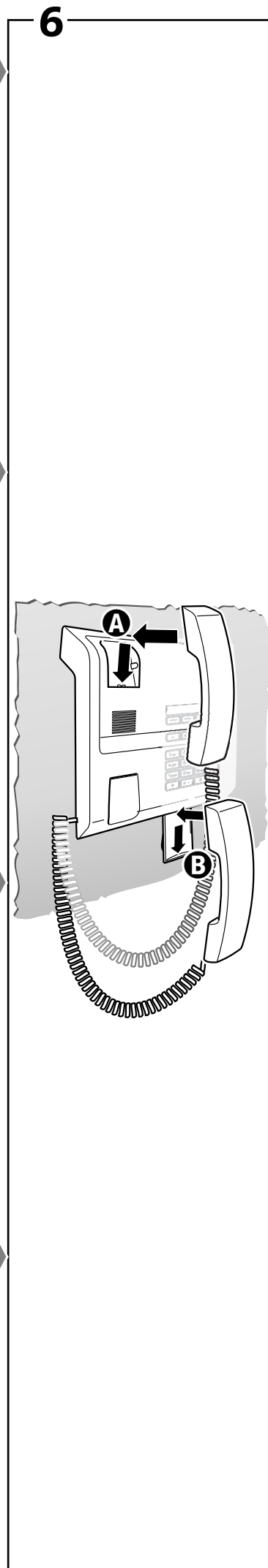
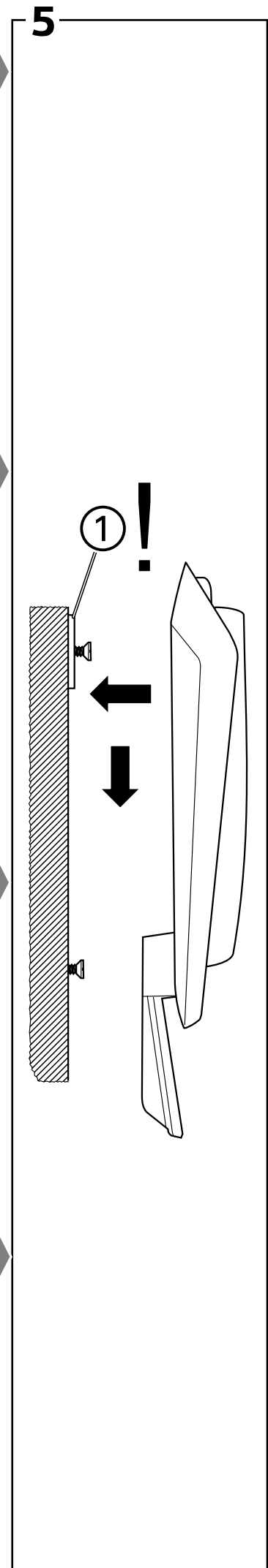
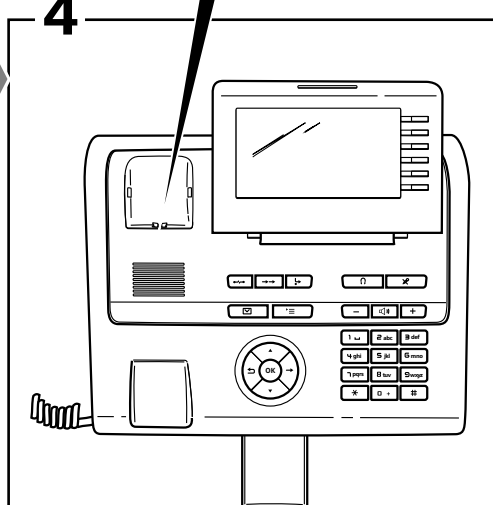
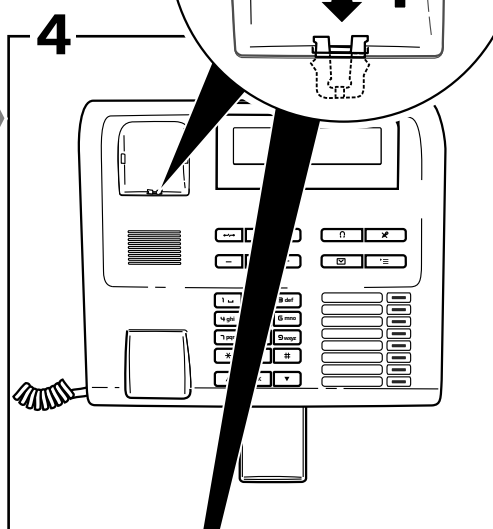
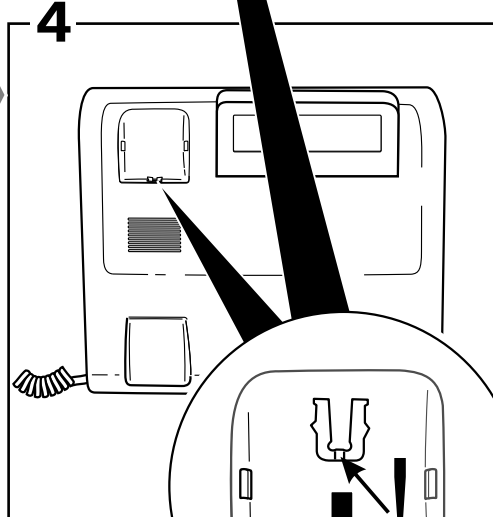
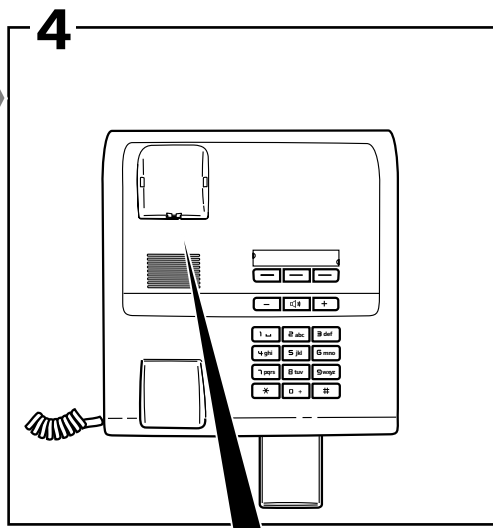
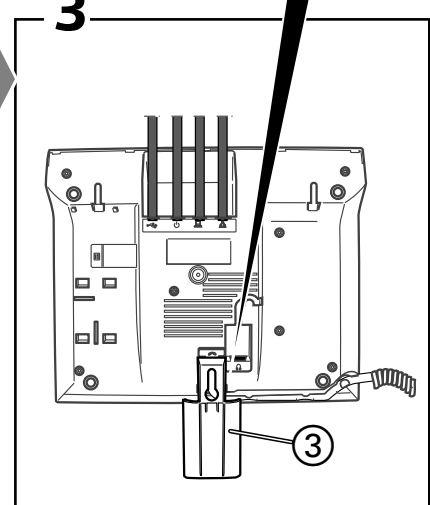
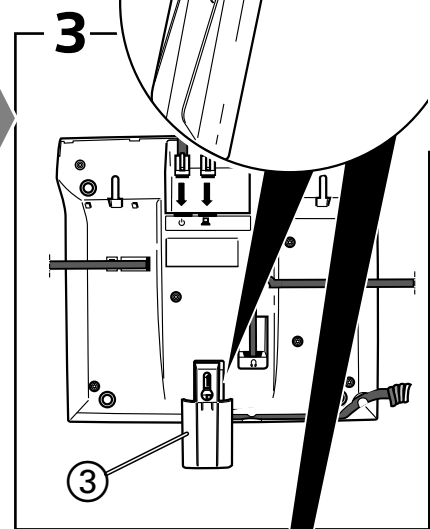
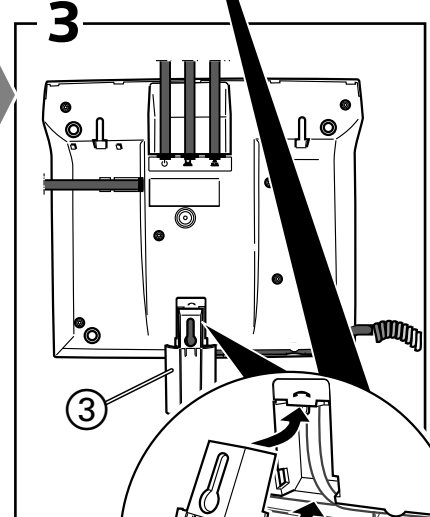
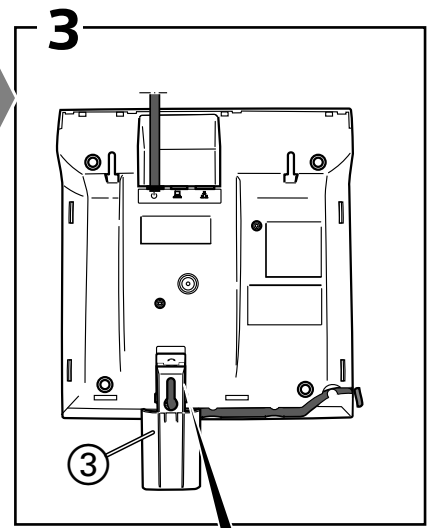
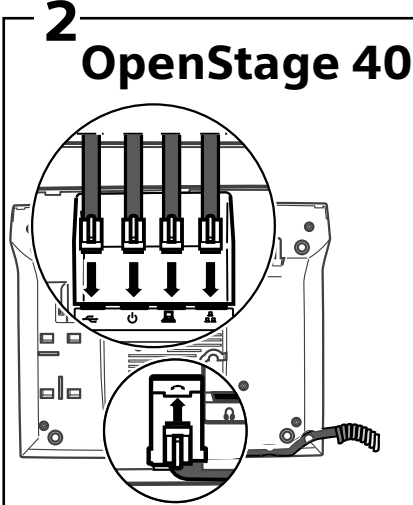
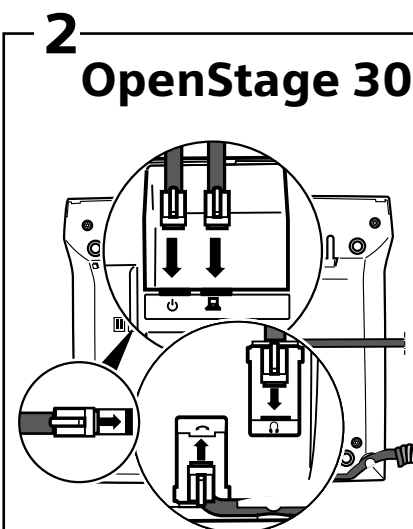
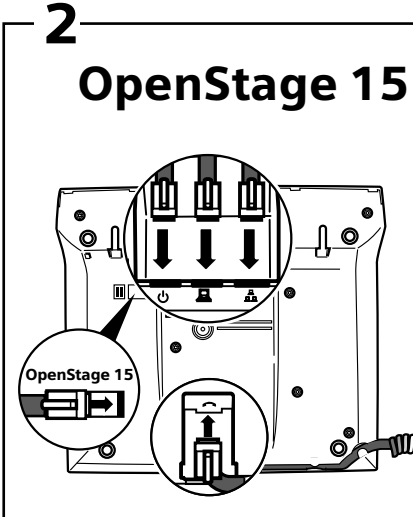
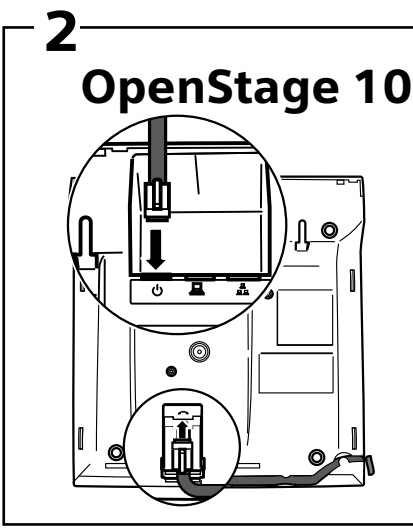
- ① Unterlegscheiben für obere Schrauben
Washers for upper screws
- ② Hörer-Halteclip (drei als Reseve)
Handset retainer clip (three spares)
- ③ Wandhalterung mit Ablage
zum Parken des Hörers
Wall bracket with handset rest



1

1!

Bohrschablone siehe Rückseite!
See reverse for drilling template.



Copyright © Unify Software and Solutions GmbH & Co. KG 10/2015
Mies-van-der-Rohe-Str. 6, 80807 Munich/Germany
All rights reserved.

Reference No.: A31003-S2000-J100-6-7431

The information provided in this document contains merely general descriptions or characteristics of performance which in case of actual use do not always apply as described or which may change as a result of further development of the products. An obligation to provide the respective characteristics shall only exist if expressly agreed in the terms of contract.



unify.com

UNIFY Harmonize your enterprise

Availability and technical specifications are subject to change without notice.
Unify, OpenStage, OpenStage and HiPath are registered trademarks of Unify Software and Solutions GmbH & Co. KG. All other company, brand, product and service names are trademarks or registered trademarks of their respective holders.

Bohrschablone OpenStage 10 / 15 / 30 / 40
Drilling Template OpenStage 10 / 15 / 30 / 40

